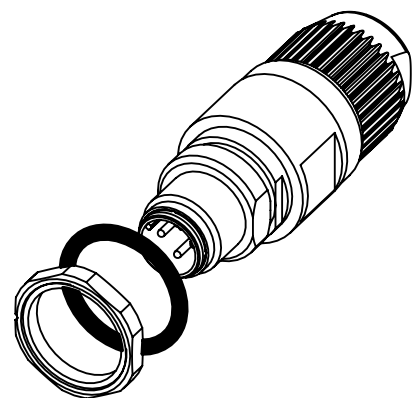
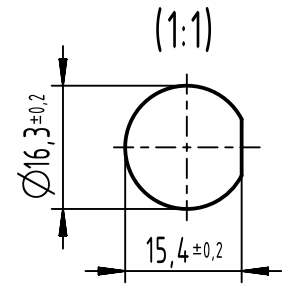


contact face acc. to IEC 61076-2-101

panel cut out (1:1)



cable \varnothing			conductor cross section
5.5-7.2mm	4.5-5.4mm	7.0-8.8mm	
sealing			0.14 - 0.34mm ² AWG26-AWG22
black	transparent	beige	

	All Dimensions in mm Original Size DIN A4		Scale 1:1	Free size tol.		Ref. Sub.	
	All rights reserved Department EL PD		Created by DYCKC	Inspected by EISFELD	Standardisation 302077	Date 2020-10-22	State Final Release
HARTING Electronics GmbH D-32339 Espelkamp			Title HARTING M12 IDC D-coded 4-pole male			Doc-Key / ECM-Nr. 100202948/UGD/003/G 500000179215	
			Type TB	Number 21033811425		Rev. G	Page 1/1