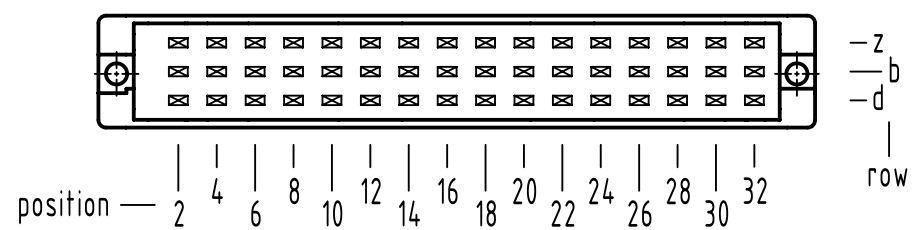


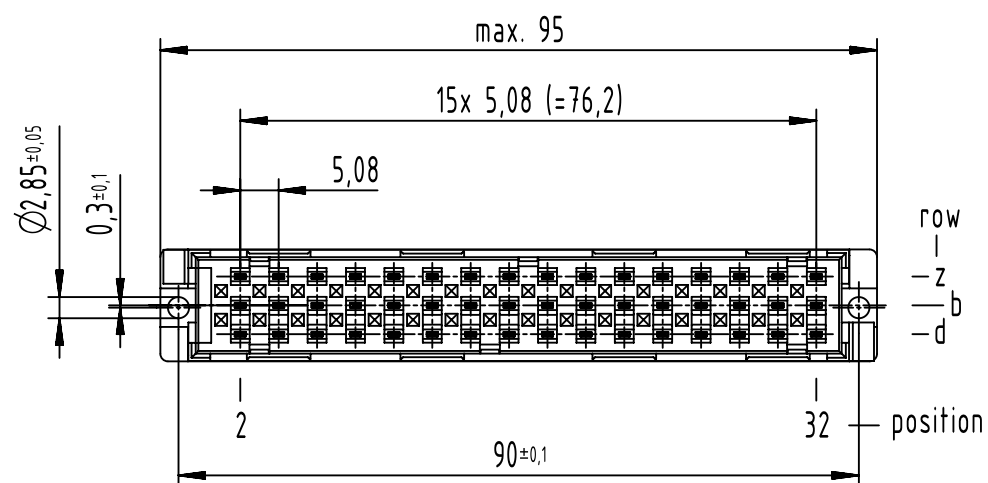
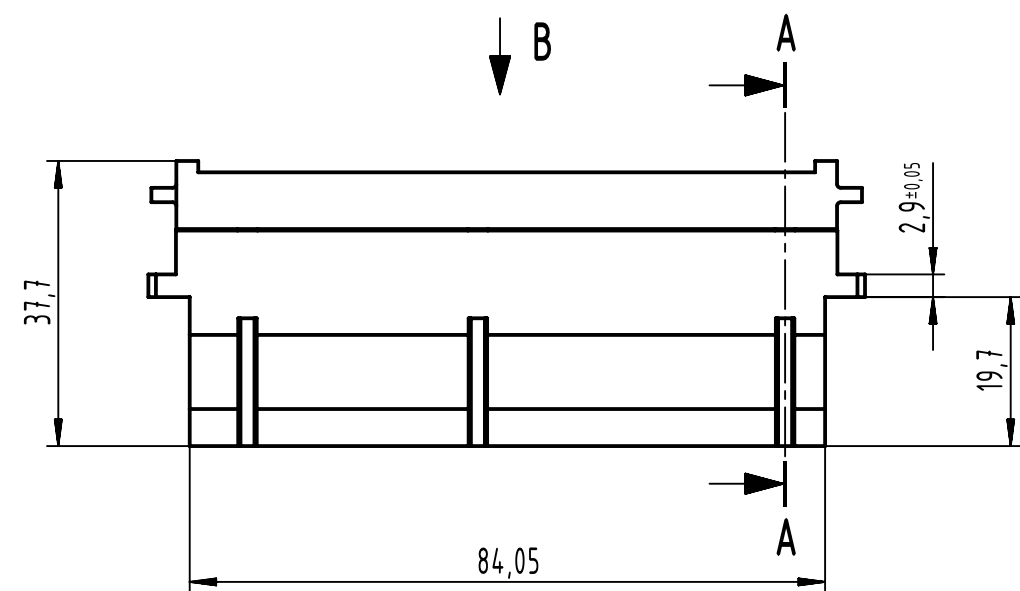
B
contact arrangement



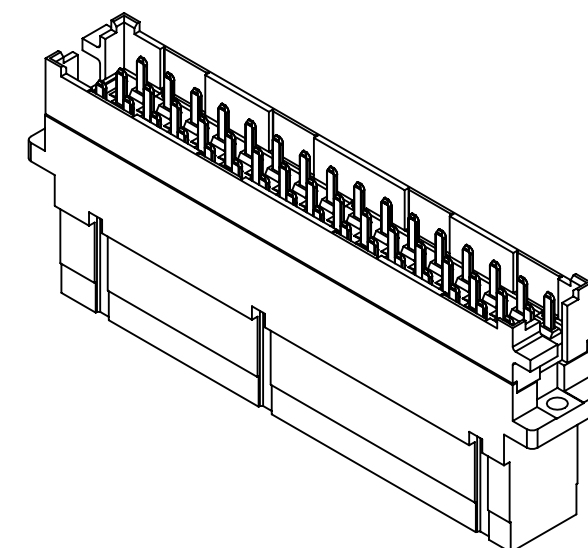
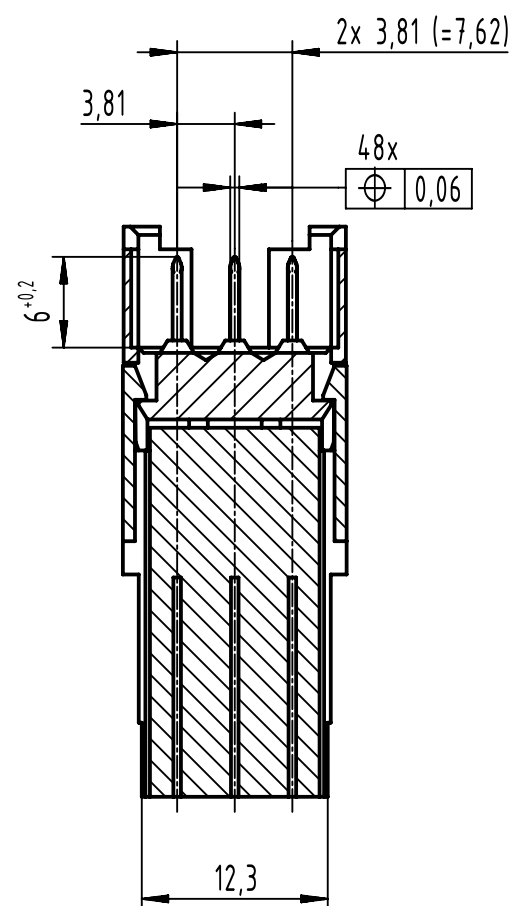
48 male contacts

= position with contact

= position without contact



A-A (2:1)



further information see product data sheet

	All rights reserved Department EL PD	All Dimensions in mm Original Size DIN A3	Scale 1:1	Free size tol. complementary IEC 60603-2	Ref. Sub. 09 06 048 2906 / 01.02.2007 / Mod. 34189	
		Created by STORCK	Inspected by LEHNERT	Standardisation 302077	Date 2021-06-16	State Final Release
HARTING D-32339 Espelkamp		Title interface connector utilising female crimp contacts			Doc-Key / ECM-Nr. 100175271/UGD/005/B 500000191284	
		Type TB	Number 09060482906		Rev. B	Page 1/1