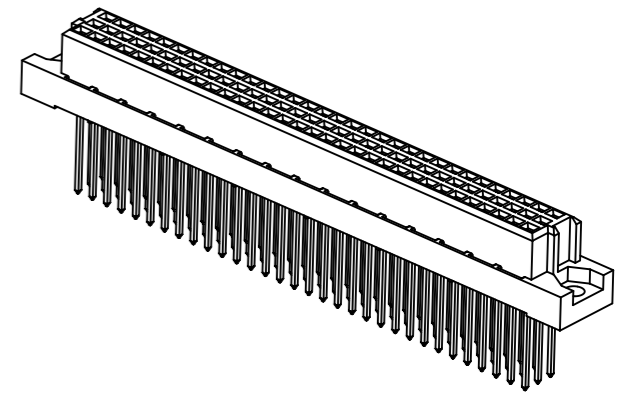


A
board drillings

A
contact arrangement

96 wire wrap contacts
 ☒ = wire wrap contact
 □ = position without contact

B (2:1)



09 03 296 6878	2
part no.	performance level

further information see product data sheet

 HARTING D-32339 Espelkamp	All rights reserved Department EL PD	All Dimensions in mm Original Size DIN A3	Scale 1:1	Free size tol. IEC 60603-2	Ref. Sub.
		Created by STORCK	Inspected by LEHNERT	Standardisation 302077	Date 2021-03-23
Title DIN Signal type C female WW 96-pole rear I/O					Doc-Key / ECM-Nr. 100072232/UGD/098/C 500000191082
		Type TB	Number 0903296X878		Rev. C Page 1/1