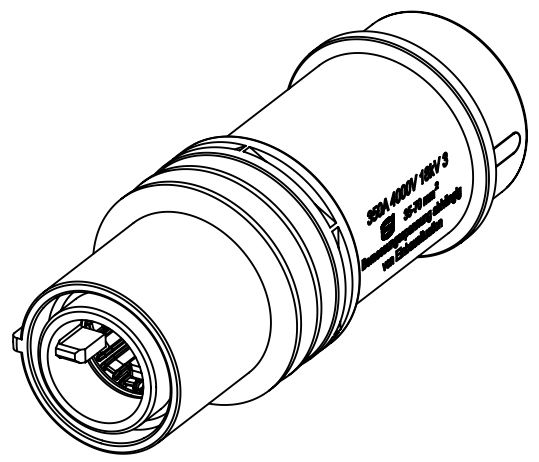



SW5  
hexagonal driver

stripping length: 19<sup>+1</sup>mm  
insulation diameter: max.19,5mm

wire gauge		tightening torque
35-70mm <sup>2</sup>	AWG 2-2/0	6-10 Nm



	All Dimensions in mm Original Size DIN A4		Scale 1:1	Free size tol.		Ref. Sub.	
	All rights reserved Department EL PD		Created by RULLKOETTER	Inspected by SCHNIEDER	Standardisation RUETERA	Date 2018-02-16	State Final Release
HARTING Electric GmbH & Co. KG D-32339 Espelkamp		Title Han 1HC-bu-AX (350A,35-70mm <sup>2</sup> )				Doc-Key / ECM-Nr. 100132465/UGD/006/A 500000131413	
		Type TB	Number 09 11 001 2751			Rev. A	Page 1/1