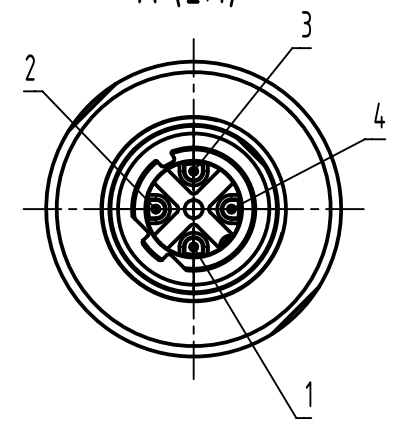
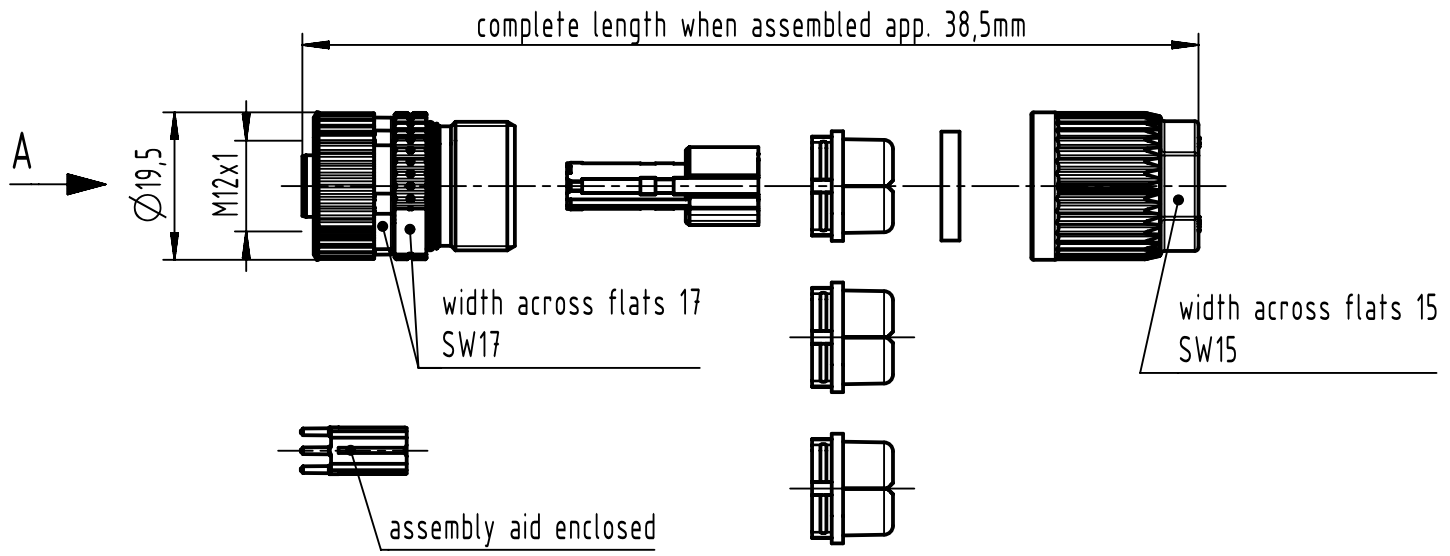


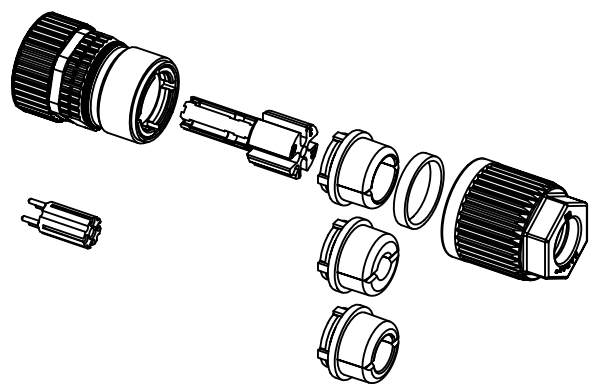
contact face based on IEC 61076-2-101

A (2:1)



order contacts separately

cable Ø			wire gauge	part no.
5.5-7.2mm	4.5-5.4mm	7.0-8.8mm		
sealing			AWG 24-20	09 67 000 8476
black	transparent	beige	AWG 26-22	09 67 000 5476
			AWG 22-18	09 67 000 3476



	All Dimensions in mm Original Size DIN A4	Scale 1:1	Free size tol.		Ref.
	All rights reserved Department EL PD	Created by HASSE	Inspected by 104.122	Standardisation	Sub.
HARTING D-32339 Espelkamp	Title M12-L-CC-CRIMP-4P-DCOD-F-STR-SHLD			Date 2021-12-15	State Final Release
	Type TB	Number 21038822405		Doc-Key / ECM-Nr. 100182850/UGD/002/G 500000207119	Rev. G Page 1/1